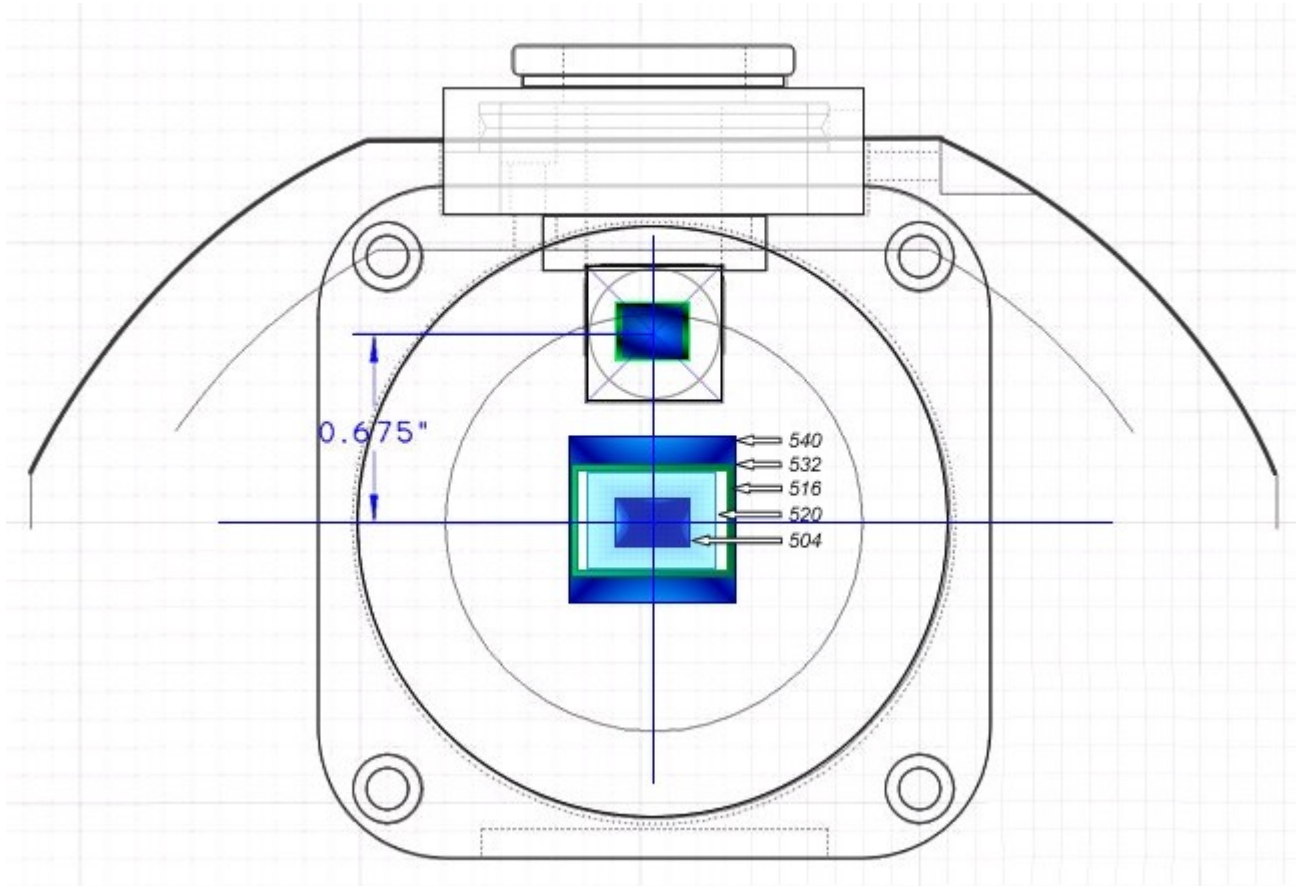


Bud,

The pick-off prism is 1/2" (12.5mm) square. Much larger than the sensor in any guide camera you're likely to use. Here's a drawing from the WSG User Guide showing the size and relative position of the main and guide camera sensors. The two sensor sizes shown inside the prism are those from the Lodestar/Meade DSI Pro II and Starfish.



The Meade DSI Pro II works great as a guider with the WSG. It's what we used for most of the initial testing. With any mono DSI Pro you need to replace the standard filter slide with this low profile adapter from ScopeStuff:

[http://www.scopestuff.com/ss\\_dsif.htm](http://www.scopestuff.com/ss_dsif.htm)

I've attached two photos, one showing a Meade DSI Pro attached as the guider and one showing the Lodestar.

Let me know if you need anything else.

Best regards,  
Kevin

Here are a couple of pictures:

